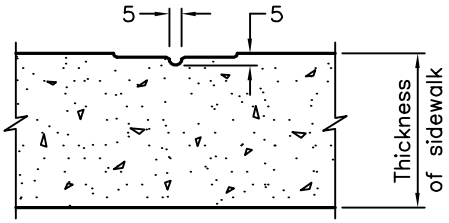
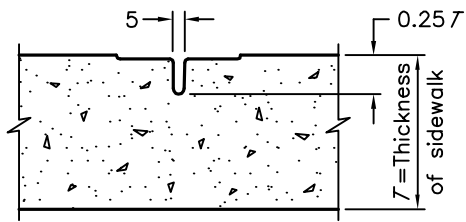


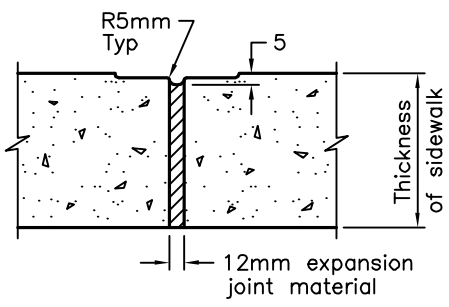
TYPICAL SECTION



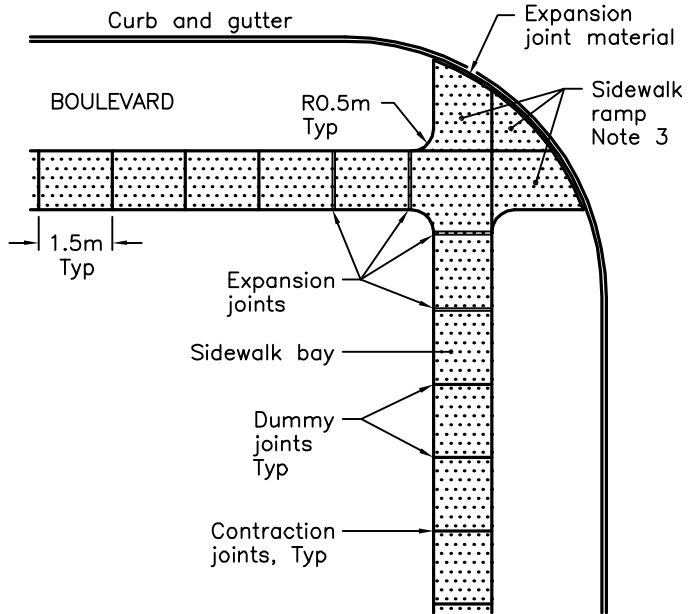
DUMMY JOINT (OPTIONAL)



CONTRACTION JOINT



EXPANSION JOINT



JOINT LAYOUT

NOTES:

- 1 Sidewalk thickness at residential driveways and adjacent to curb shall be 150mm. At commercial and industrial driveways, the thickness shall be 200mm.
- 2 Sidewalk width shall be wider when specified.
- 3 This OPSD shall be read in conjunction with OPSD 310.030, 310.031, 310.032, 310.033 and 310.039.
- A All dimensions are in millimetres unless otherwise shown.

ONTARIO PROVINCIAL STANDARD DRAWING	Nov 2015	Rev 2	
CONCRETE SIDEWALK	-----		
OPSD 310.010			